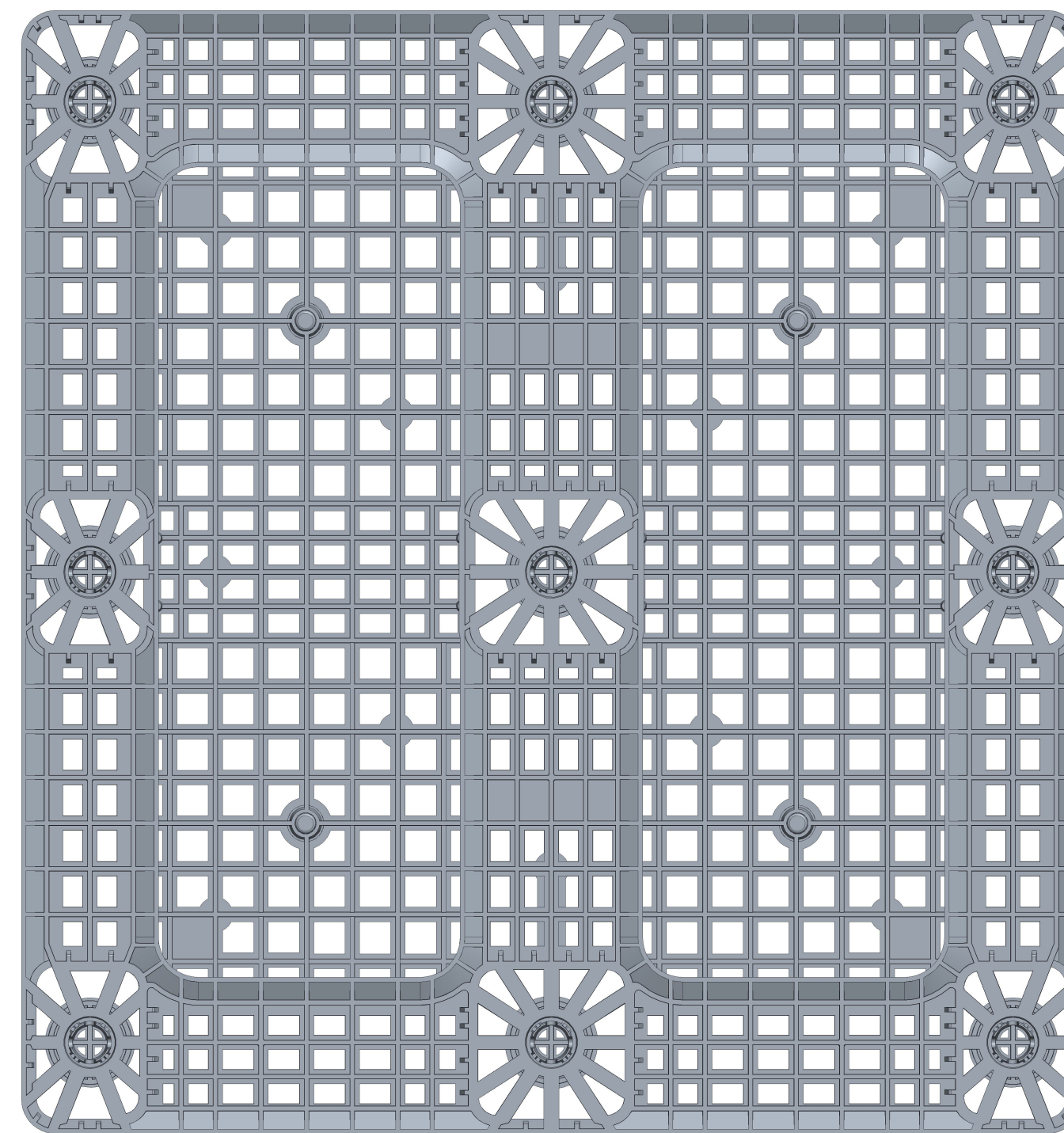
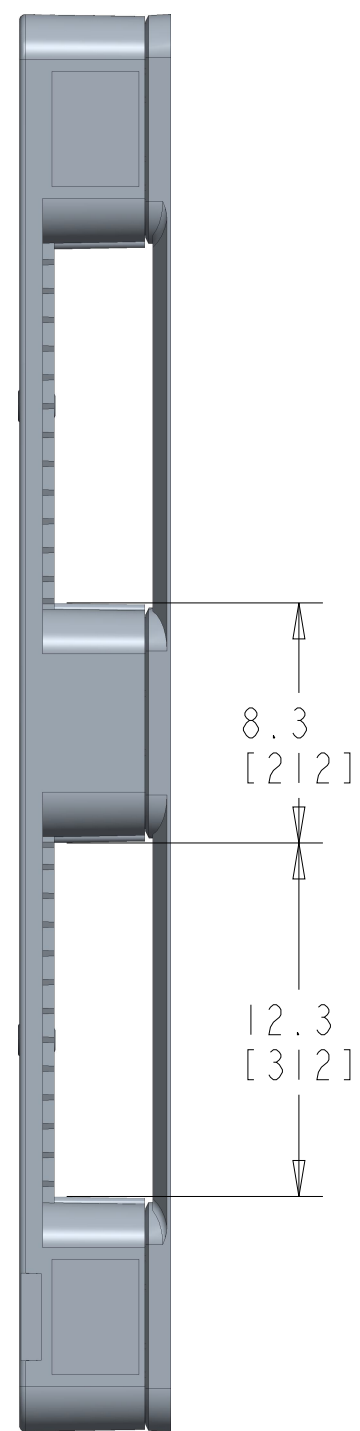
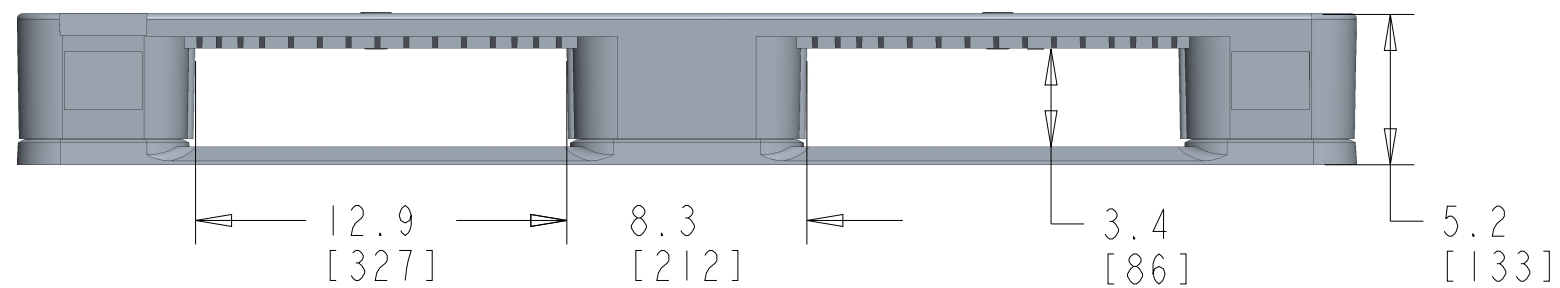


TOP VIEW



BOTTOM VIEW



<http://www.orbispatents.com>

ORBIS[®]

Powered by Menasha Corporation

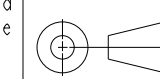
DISCLAIMER: These materials are proprietary, for exemplary and discussion purposes only, and intended solely for the use of ORBIS Corporation ("ORBIS"), its affiliates, and their respective shareholders, directors, officers, and employees. ORBIS disclaims any express or implied warranties concerning the accuracy, reliability, or completeness of, and accepts no liability for, any information contained herein. Unauthorized use or dissemination of these materials is strictly prohibited.
©2016 ORBIS Corporation

FOR REFERENCE ONLY

PART NAME

1180 x 1250 BulkPal

Third Angle



Units:
Inch
[MM]

DRAWING NUMBER

86593FG

REV LEVEL

A

SHEET 1 OF 1